

GEMÜ 1205

Electrical position indicator ATEX



Features

- Can be fitted to GEMÜ valves or third-party actuators
- Compact, solid aluminium housing
- Adjustable switch point tolerances
- ATEX approval according to 2014/34/EU

Description

The GEMÜ 1205 electrical position indicator has electro-mechanical microswitches in a flameproof enclosure. Two valve positions, open and/or closed can be remotely indicated.

Technical specifications

- Ambient temperature : -20 to 60 °C
- Stroke : 2 to 70 mm
- Protection class : IP 65
- Supply voltage : max. 250 V AC/DC
- Electrical connection type : M20 cable gland



further information
webcode: GW-1205



Product description



Item	Name	Materials
1	Cover	Aluminium diecasting
2	Base	Aluminium diecasting
3	Operating bush	1.4104
4	Guide piece	1.4305

Order data

The order data provide an overview of standard configurations.

Please check the availability before ordering. Other configurations available on request.

Note: Mounting kit 1205 S01 Z...AT dependent on valve type. Please order separately specifying valve type, DN, control function and actuator size.

Order codes

1 Type	Code
Electrical position indicator ATEX for linear actuators	1205

2 Fieldbus	Code
Without	000

3 Accessory	Code
Accessory	Z

4 Housing material	Code
Aluminium diecasting	AL

5 Function	Code
Open / Closed	A00
Open	A01
Closed	A02

6 Electrical connection	Code
M20 cable gland	03

7 Options	Code
Without	00

8 Switch	Code
SPDT (Single Pole Double Throw) contact, microswitch	M2

9 Connection diagram	Code
Microswitch PNP	M2

10 Special version	Code
ATEX 2014/34/EU	X

Order example

Order option	Code	Description
1 Type	1205	Electrical position indicator ATEX for linear actuators
2 Fieldbus	000	Without
3 Accessory	Z	Accessory
4 Housing material	AL	Aluminium diecasting
5 Function	A00	Open / Closed
6 Electrical connection	03	M20 cable gland
7 Options	00	Without
8 Switch	M2	SPDT (Single Pole Double Throw) contact, microswitch
9 Connection diagram	M2	Microswitch PNP
10 Special version	X	ATEX 2014/34/EU

Technical data

Temperature

Ambient temperature: -20 to 60 °C

Product compliance

ATEX Directive: 2014/34/EU
 Harmonised standards used:
 EN 60079-0:2012+A11:2013
 EN 60079-1:2014
 EN 60079-7:2015
 EN 60079-31:2014

Marking:	ATEX
Gas:	⊕ II 2G Ex db eb IIC T6 Gb
Dust:	⊕ II 2D Ex tb IIIC T80°C Db

Type examination certific-IBExU18ATEX1008
 ate:

Mechanical data

Weight: 1146.5 g
Protection class: IP 65 acc. to EN 60529
Range of limit switch: 2 to 70 mm continuous
Mechanical stability: 7 Nm, impact energy acc. to EN 60079-0
Max. switching frequency: ≤ 1000 switching cycles/h

Electrical data

Switch type: Single Pole Double Throw contact (SPDT) | Microswitch

Switch rating: **Switch rating AC**

Voltage	Ohmic load	Inductive load (cosφ = 0.6)
250 V	5 A	3 A
30 V	7 A	5 A

Switch rating DC

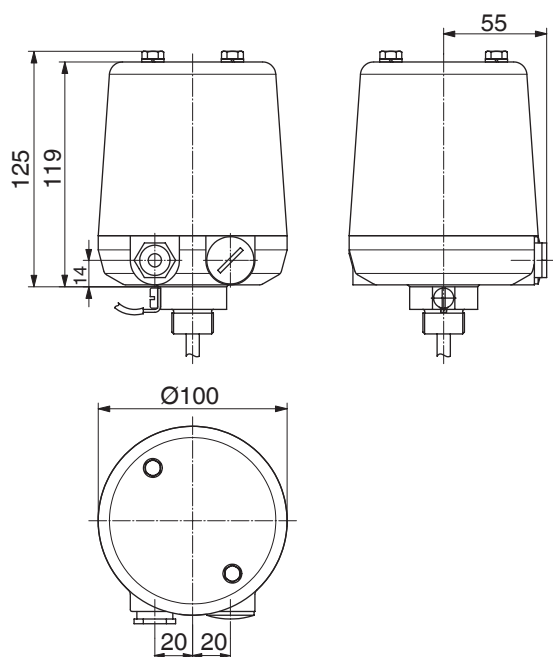
Voltage	Ohmic load	Inductive load (cosφ = 0.6)
250 V	0.4 A	0.03 A
30 V	7 A	5 A

Information applies to 40 °C ambient temperature

Thermal rated current: 6 A

Electrical connection type : M20 cable gland 1 x available (Type Bartec 03-6020-0016)
 1 x prepared (blanking cover)
 Cable diameter: 7 to 13 mm
 Terminal diameter: 2.5 mm²
 Earth terminal: 4.0 mm²
 Potential equalisation: Stranded wire, yellow/green, H 07 V-K 4.0
 Tightening torque 10 Nm

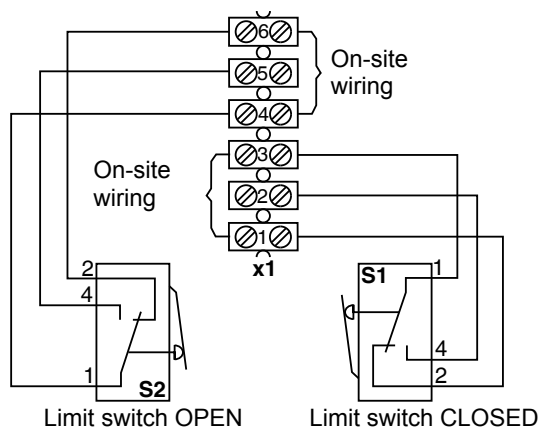
Dimensions



Dimensions in mm

Electrical connection

Terminals, microswitch (code 104)





GEMÜ Gebr. Müller Apparatebau GmbH & Co. KG
Fritz-Müller-Straße 6-8, 74653 Ingelfingen-Criesbach, Germany
Tel. +49 (0)7940 123-0 · info@gemue.de
www.gemu-group.com