

Construction

The GEMÜ 1225 electrical position indicator for GEMÜ types 410, 411, 415, 417, 423 and 428 has two adjustable trip cams which are positively operated by the switching shaft. The switch points can be adjusted by rotating the trip cams with a screwdriver, via the openings in the side covers.

Features

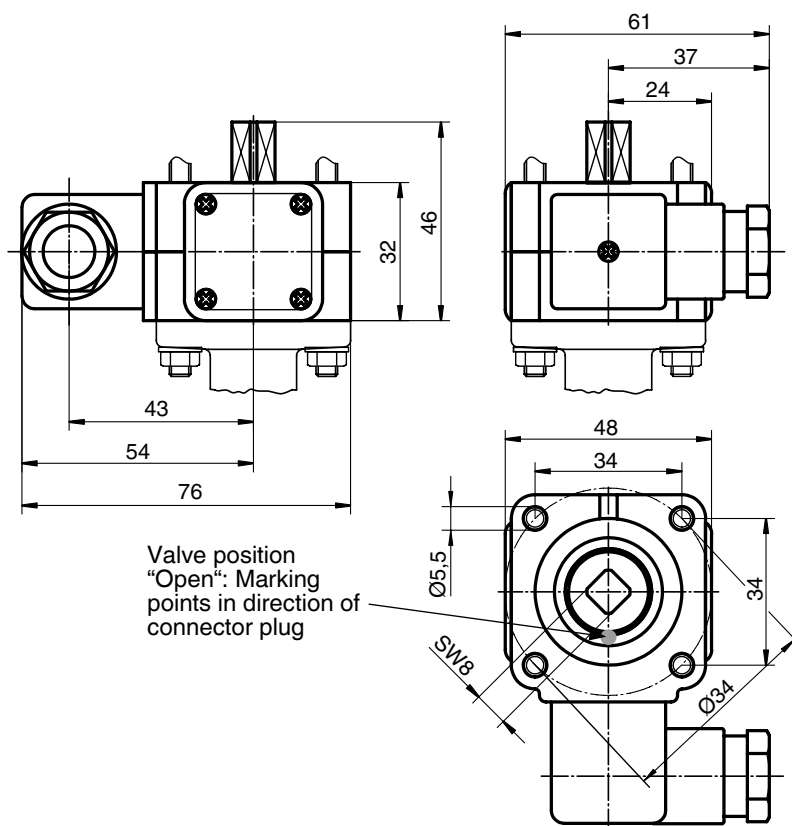
- Electrical and optical indication of the “Open” and “Close” positions
- The “Open” or “Closed” positions are indicated by integral LEDs (green/red LED), the mains supply is indicated by a yellow LED.

Advantages

- The GEMÜ 1225 electrical position indicator can also be retrofitted to all GEMÜ quarter turn valves of types 410, 411, 415, 417, 423 and 428.
- The electrical position indicator can be fitted to the valve in any of four positions, 90° apart.



Dimensions [mm]



Technical data
Voltages

10 - 30V DC (other voltages on request)

Weight

170 g

Category

AC - 15

Protection class

IP 40 (when mounted)

Switch rating

2.5 A to 24 V DC

Recommended cross section dimension of cable

Cable - Ø 6 - 8 mm

Housing material

PPO, Polyphenylene oxide + 30% glass fibre

Ambient conditions

Ambient temperature

0 ... +70 °C

Order data
Nominal size
Code

Without

000

For type
Code

GEMÜ 410 DN 15 - 40

00

GEMÜ 415 DN 15 - 25

01

GEMÜ 415 DN 32 - 50

02

GEMÜ 428

03

GEMÜ 423 DN 15 - 40

05

GEMÜ 410 DN 50

06

GEMÜ 411 DN 15 - 50

07

GEMÜ 423 DN 50

08

GEMÜ 417 DN 15 - 40

09

GEMÜ 417 DN 50

10

Accessory
Code

Accessory

Z

Typ of connection
Code

PNP

10

NPN

20

Please indicate the complete valve type key when ordering.

Order example
1225
000
Z
10
00

Type

1225

Nominal size (Code)

000

Accessory (Code)

Z

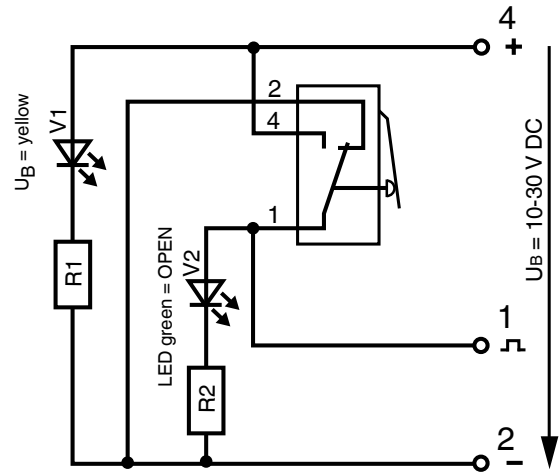
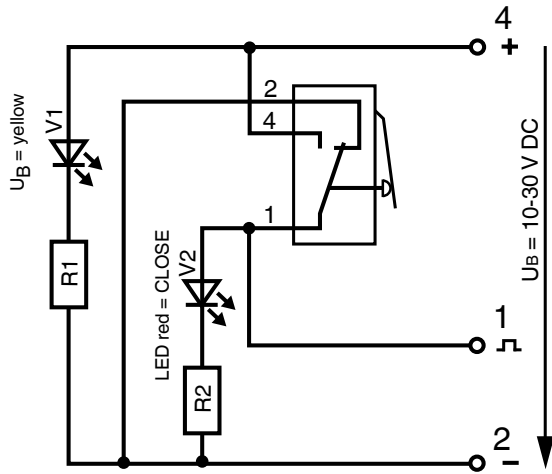
Typ of connection (Code)

10

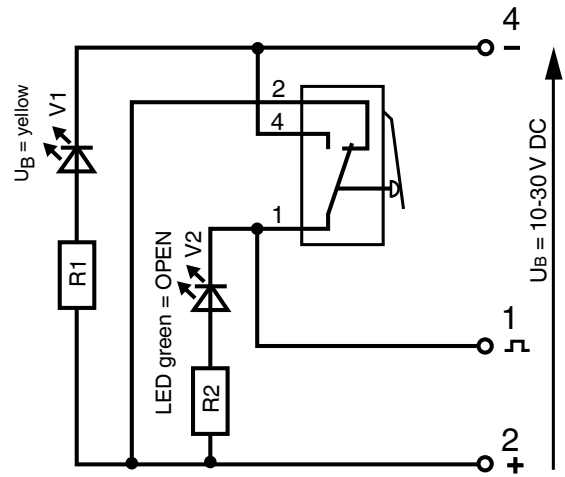
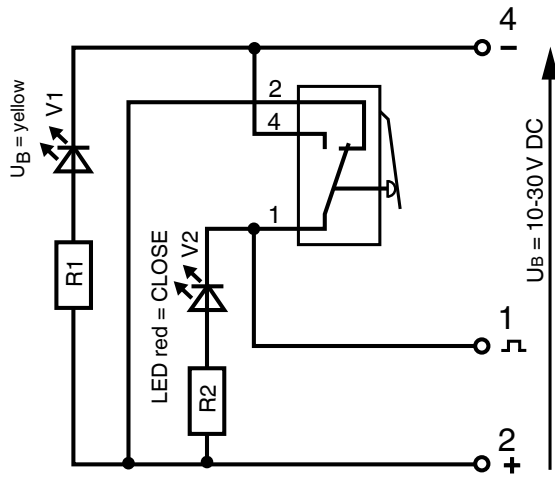
For type (Code)

00

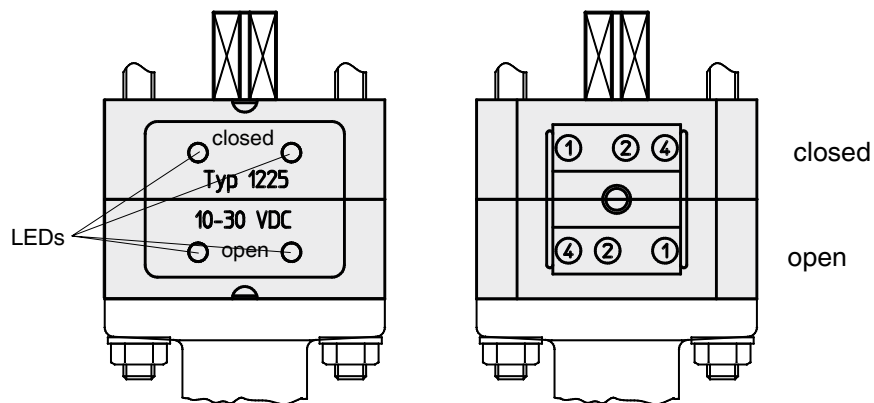
Connection diagram PNP



Connection diagram NPN



Layout of internal position switches



Further electrical position indicators for valves with quarter turn actuator, e.g. butterfly and ball valves

GEMÜ 1227-1229 Position indicator with microswitch



GEMÜ 1227 position indicator with microswitch
 GEMÜ 1228 position indicator acc. to ATEX with inductive proximity switch acc. to NAMUR DIN 19234/EN 50227
 GEMÜ 1229 position indicator with inductive 3-wire proximity switch

GEMÜ 4221 - Combi switchbox with integrated 3/2 way pilot valve



The GEMÜ 4221 combi switchbox with integrated 3/2 way pilot valve has a micro-processor controlled intelligent position sensor as well as an analogue integrated travel sensor system.

Further electrical position indicators for valves with linear actuator e.g. diaphragm and globe valves

GEMÜ 1215 - Position indicator with microswitch



The GEMÜ 1215 single position indicator is suitable for linear actuated valves where it shows 'open' position only, or on GEMÜ type 667 where it shows 'closed' position only. The unit also has optical indication.

GEMÜ 1234 and 1235/1236 - Self-learning position indicators



The GEMÜ 1234 and 1235/1236 electrical position indicators have an automated programme for setting open/closed. In addition the operating voltage and the end positions are indicated by light emitting diodes.

GEMÜ 1211 and 1231 Position indicators with proximity switch acc. to ATEX



The GEMÜ 1211 and 1231 electrical position indicators have one or two proximity switches for end position feedback which are mechanically adjustable. The devices are suitable for installation in Ex-proof applications acc. to ATEX. GEMÜ 1211 is suitable for mounting to linear actuators with a max. stroke of 70 mm. GEMÜ 1231 is suitable for mounting to linear actuators with a max. stroke of 20 mm.

GEMÜ 1201 and 1230 Position indicator with microswitch



The GEMÜ 1201 and 1230 electrical position indicators have one or two microswitches for end position feedback which are mechanically adjustable. GEMÜ 1201 is suitable for mounting to linear actuators with a max. stroke of 70 mm. GEMÜ 1230 is suitable for mounting to linear actuators with a max. stroke of 20 mm.

GEMÜ 1214 and 1232 - Position indicators with proximity switch



The GEMÜ 1214 and 1232 electrical position indicators have one or two proximity switches for end position feedback which are mechanically adjustable. GEMÜ 1214 is suitable for mounting to linear actuators with a max. stroke of 70 mm. GEMÜ 1232 is suitable for mounting to linear actuators with a max. stroke of 20 mm.

For further position indicators, accessories and other products, please see our Product Range catalogue and Price List. Contact GEMÜ.